

MINORCA

Thanks to its classical and elegant style it is perfectly integrated into any type of public place.
With MINORCA you can display your pastries in the best possible way.

Static refrigeration
pastry cabinet
with tip-up or openable glass



MINORCA 166 VR

- Models available: 112, 166, 220
- Superstructure in tempered curved glass with tip-up or openable facility and aluminium supports
- Gold-coloured anodised aluminium supports
- Base structure in tubular painted steel
- Rear workshelf in polished stainless steel AISI 304
- Refrigerated display unit base in stainless steel AISI 304
- 2 shelves in tempered glass
- Self-rolling curtain
- Lighting by fluorescent tubes
- Electro-mechanical control panel
- Refrigeration system by capillary tube

MINORCA

QUALITY

To us quality means flexible design, perfection in the details and total reliability over time. Such goals can be attained only through professionalism and passion of hundreds of ISA men, continuously working to increase the level of customer satisfaction.

VISIBILITY

Maximum visibility of the products displayed thanks to the special curving of the front glass.

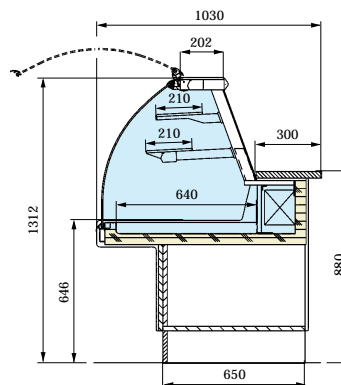
HYGIENE

Its practical cleaning is guaranteed by rounded corners, tip-up or openable glass and removable side glass, while a protective self-rolling curtain preserves internal hygiene.

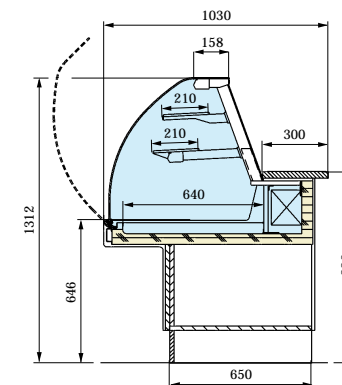
Static refrigeration pastry cabinet with tip-up or openable glass



REFRIGERATION ARCHITECTURE



MINORCA 112/166/220 VA



MINORCA 112/166/220 VR



Curved glass



Polished stainless steel rear workshelf

Technical features

	112 VR/VA	166 VR/VA	220 VR/VA
LxDxH mm	1120x1040x1312	1660x1040x1312	2200x1040x1312
Refrigeration	static	static	static
Defrosting	compressor stop	compressor stop	compressor stop
Product temperature °C (Cl 3 25°-60%U.R.)	+1/+10	+1/+10	+1/+10

Due to the quality advancement programmes and continuous scientific research ISA reserves the right to modify any technical specifications without notice.

ISA S.p.A.
Via del Lavoro, 5
06083 BASTIA UMBRA (PG) ITALY
Tel. 075-80171 - Fax 075-8000900
<http://www.isaitaly.com>